

(21) Application No **8304906**  
 (22) Date of filing **22 Feb 1983**  
 (30) Priority data  
 (31) **8208004**  
 (32) **19 Mar 1982**  
 (33) **United Kingdom (GB)**  
 (43) Application published **12 Oct 1983**  
 (51) **INT CL<sup>3</sup>**  
**E04G 23/02**  
 (52) Domestic classification **E1S 29**  
 (56) Documents cited  
**None**  
 (58) Field of search **E1S**  
 (71) Applicants  
**Borough of Blaenau Gwent, (Great Britain), Municipal Offices, Civic Centre, Ebbw Vale, Gwent, NP3 6XB, Wales.**

(72) Inventors  
**Keith Jones, Vincent O'Connor.**  
 (74) Agent and/or Address for Service  
**Haseltine Lake and Co., Hazlitt House, 28 Southampton Buildings, Chancery Lane, London WC2A 1AT.**

(54) **Repairing airey houses**

(57) A method of replacing the structural fabrication of an Airey house, comprises the following steps:-

- a) exposing, from the interior of the house, the existing concrete support columns in each external and party wall;
- b) from each corner of each external and party wall in turn, and over a part only of the wall, removing the existing columns and replacing them with steel columns;
- c) securing cross-bracing to the replacement steel columns; and
- d) removing the remaining existing columns positioned between the braced sets of replaced steel columns and replacing these removed columns with steel columns.

FIG. 7.

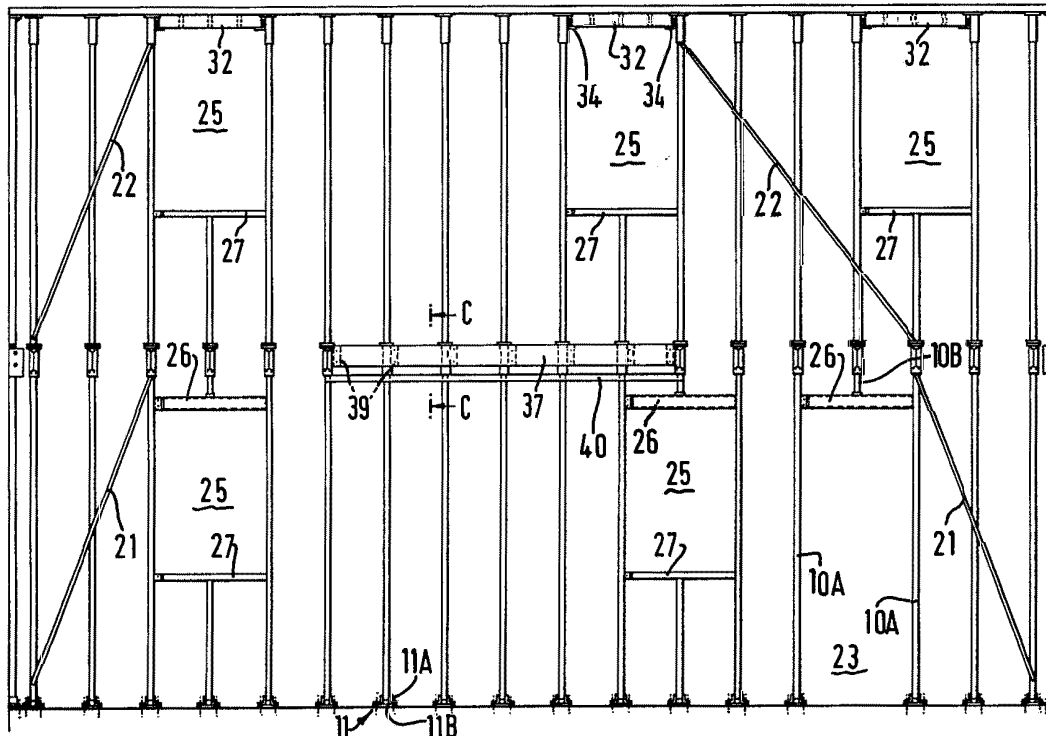


FIG. 1.

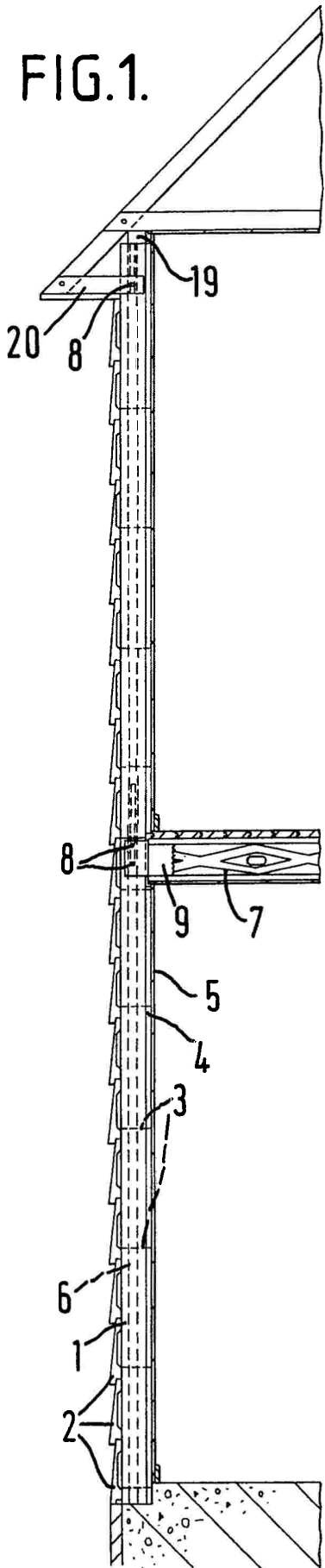


FIG. 2

